

SEE W6X8WSLV LINE 04,08,11

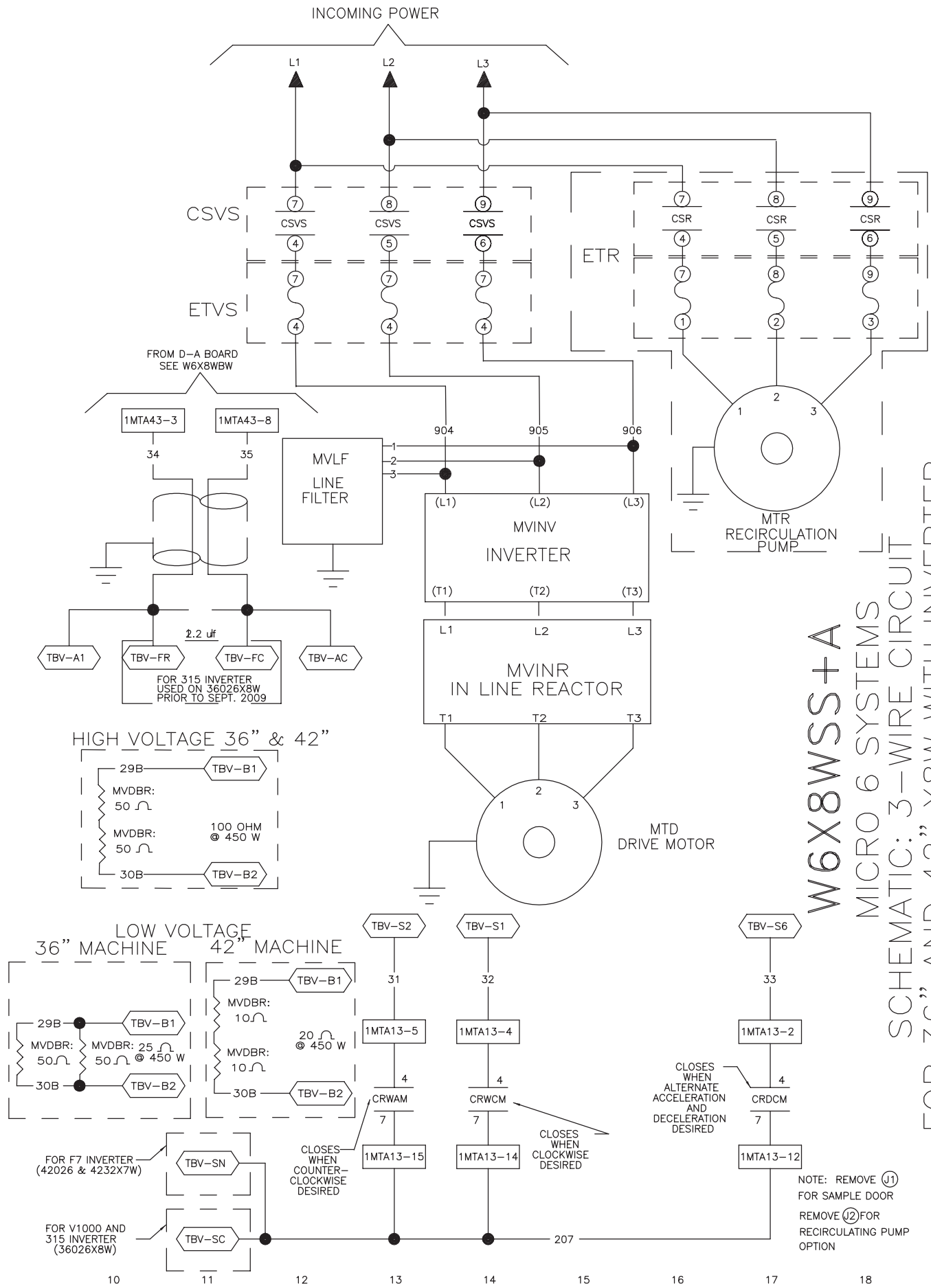
SEE W6X8WSBW LINE 00

SEE W6X8WSLV LINE 00

SEE W6X8WSEV LINE 00

SEE W6X8WSBW LINE 00

W6X8WSS+A  
2009514B



**W6X8WSS+A**  
 MICRO 6 SYSTEMS  
 SCHEMATIC: 3-WIRE CIRCUIT  
 FOR 36" AND 42" X8W WITH INVERTER  
 220V1P50HZ/240V1P60HZ  
 PELLERIN MILNOR CORPORATION

NOTE: REMOVE (J1) FOR SAMPLE DOOR  
 REMOVE (J2) FOR RECIRCULATING PUMP OPTION